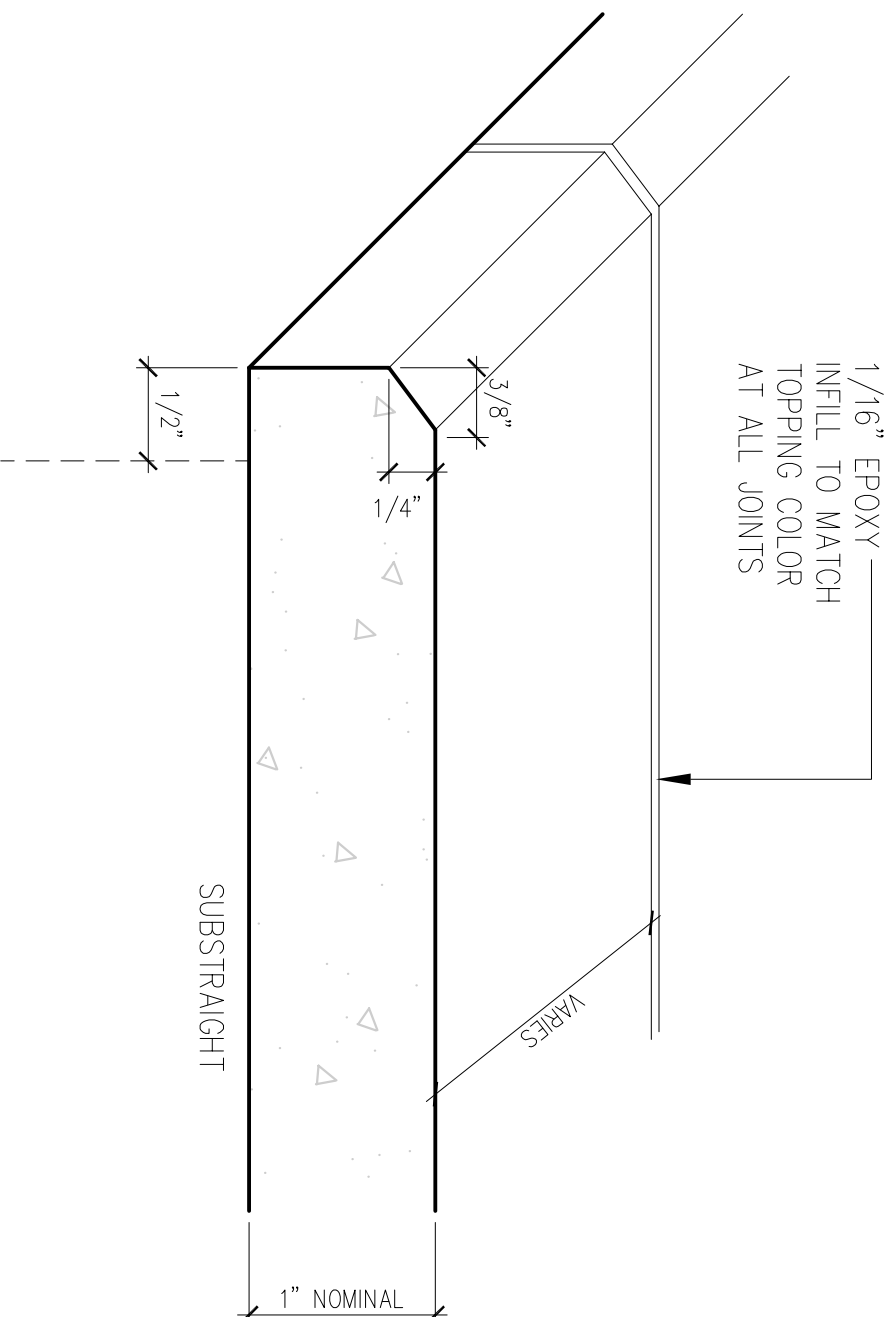


# EnviroSLAB

## 1" QUARTER BEVEL



NOTE: ALL CONSTRUCTION TOLERANCES (+/-) 1/32"