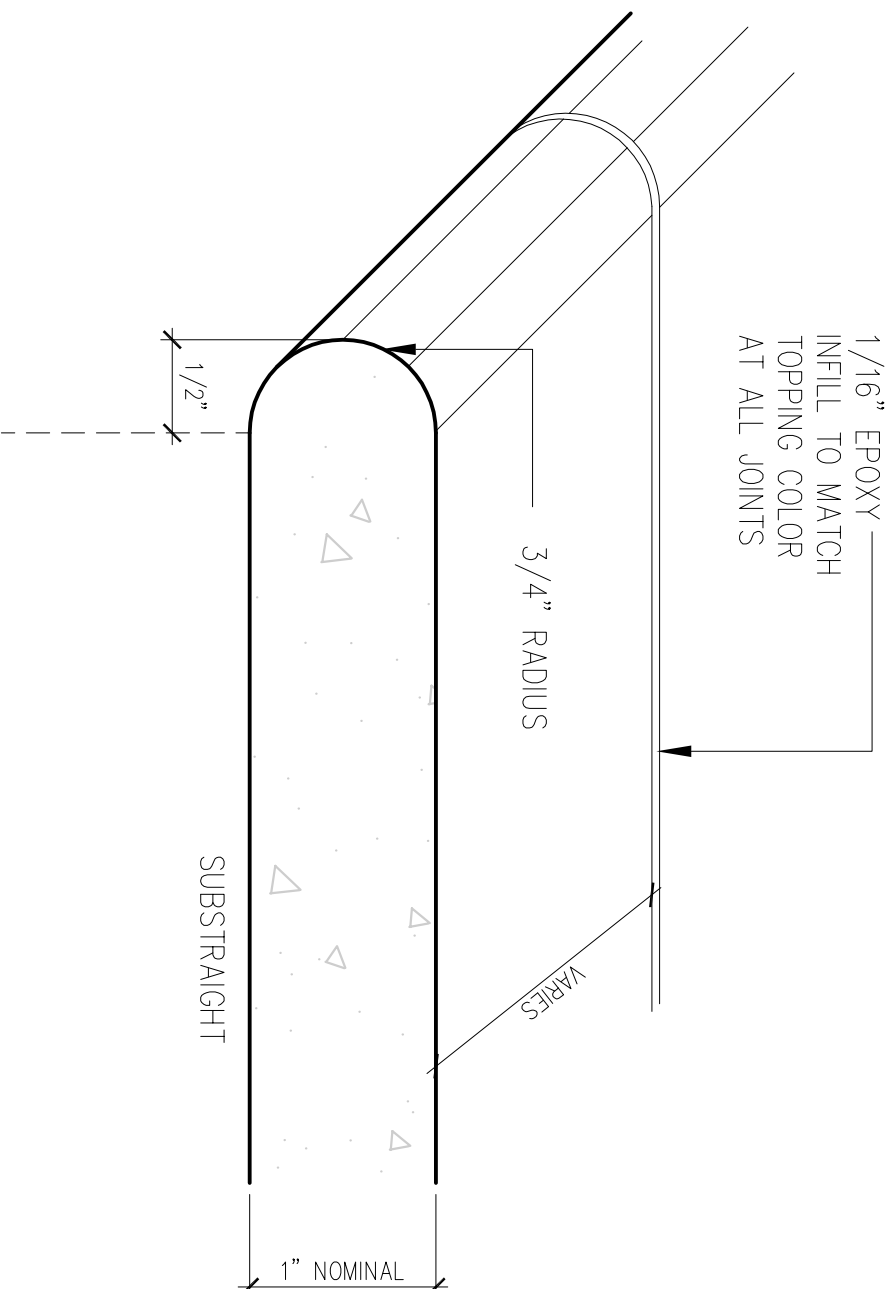


EnviroSLAB

1" FULL BULLNOSE



NOTE: ALL CONSTRUCTION TOLERANCES (+/-) 1/32"